

Pressure Gauges / Accessories / Pulsation Dampner

CONSTRUCTIVE PROPERTIES

| | STANDARD | OPTIONAL |
|------------|---------------------------|----------|
| Material | Stainless Steel AISI-316L | Brass |
| Connection | G 1/2" B | 1/2" NPT |

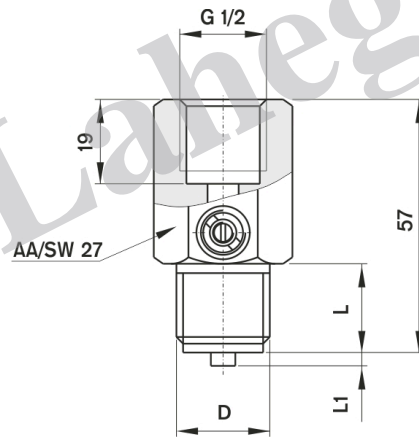
USAGE PROPERTIES

| | | |
|---------------------------|---|---------|
| Operating Pressure (max.) | 400 bar | 250 bar |
| Operating Temperature | -40/+150°C | - |
| Applications | Used for reducing the pressure pulsations resulting from pressure supply. | |



1045

Pulsation Dampner

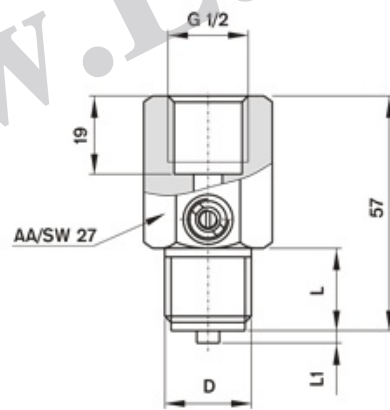


Model No: 1045

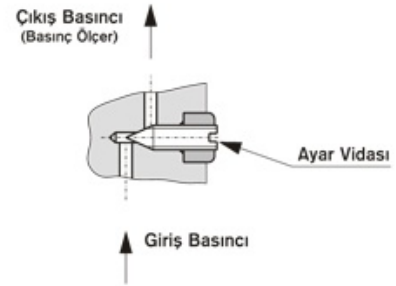
Bottom Connection

**ACCESSORIES FOR PRESSURE GAUGES
PULSATION DAMPNER**

11.03



Çalışma Sistemi



Union connection PN 250 PN 400 bar

| Material | | PN | D | L | L1 | | Model No |
|-----------|------------------|-----|----------|----|----|-----|------------|
| Case | Sealing Elements | | | | | | |
| Brass | NBR 70 | 250 | G 1/2" | 20 | 3 | 175 | 1045 04 04 |
| | | | 1/2" NPT | | | 180 | 1045 04 24 |
| St. Steel | VA 75 | 400 | G 1/2" | 20 | 3 | 190 | 1045 24 04 |
| | | | 1/2" NPT | | | 195 | 1045 24 24 |